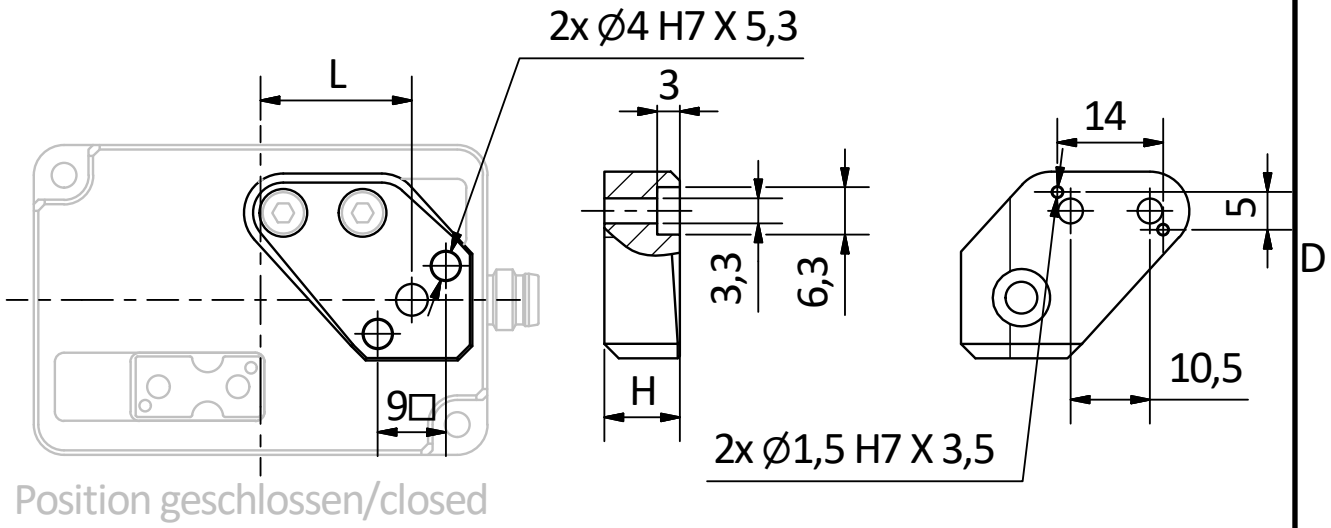


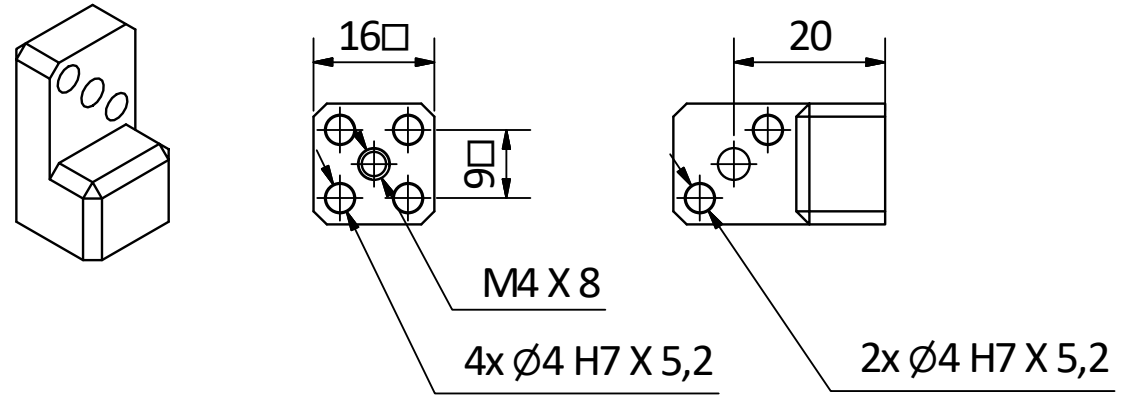
## Basiselement / Base element

| Element   | TN / Part No. | L (mm) | H (mm) |
|-----------|---------------|--------|--------|
| BE 16-010 | 5150001       | 10     | 10     |
| BE 16-015 | 5150002       | 15     | 10     |
| BE 16-020 | 5150003       | 20     | 10     |
| BE 16-025 | 5150004       | 25     | 10     |
| BE 16-040 | 5150029       | 40     | 15     |



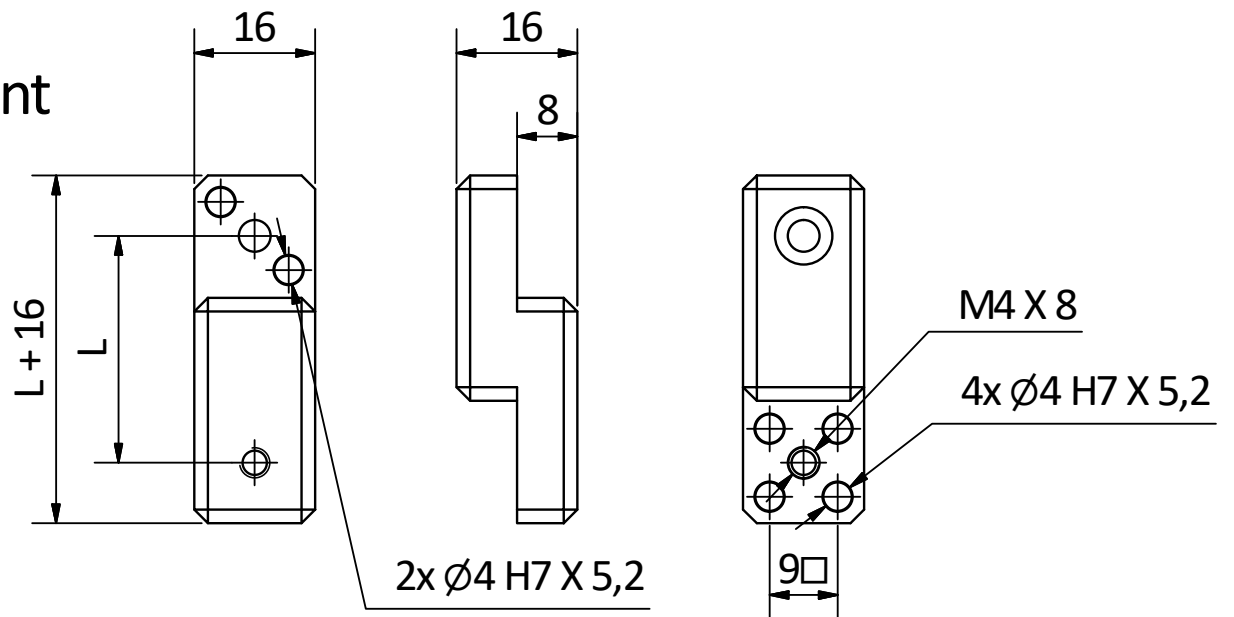
## Winkelement / Angle connector

| Element   | TN / Part No. |
|-----------|---------------|
| AC 16-020 | 5150008       |



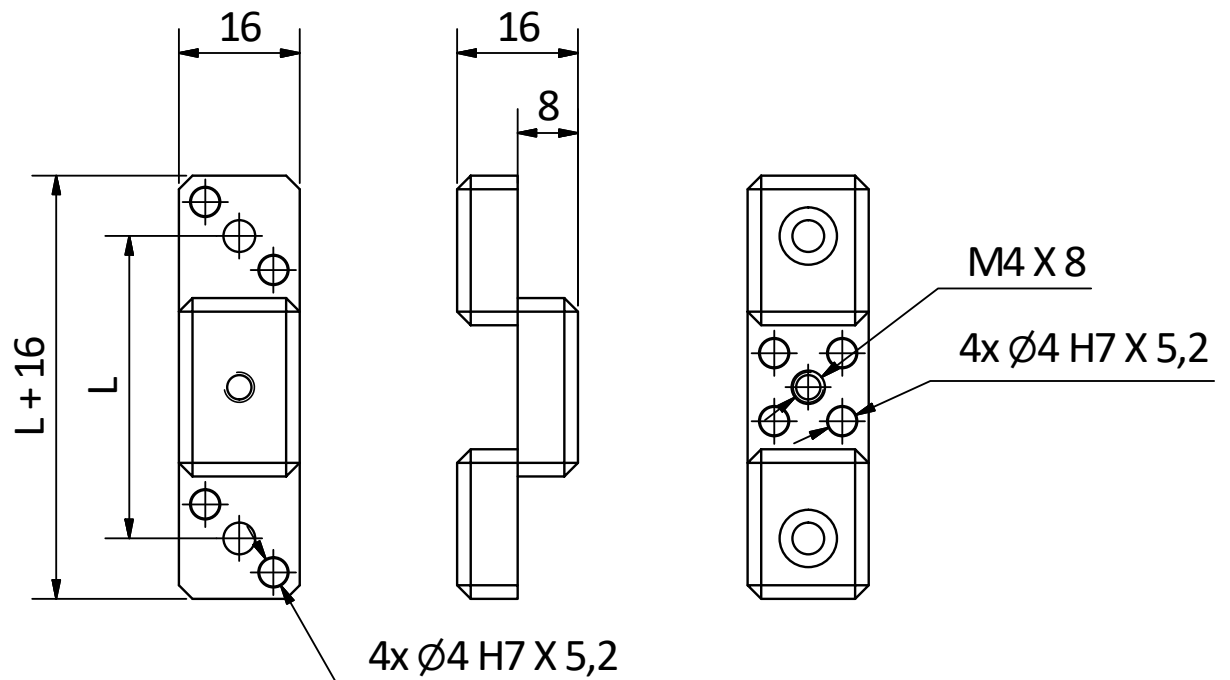
## Fingerelement / Finger Element

| Element   | TN / Part No. | L (mm) |
|-----------|---------------|--------|
| FE 16-020 | 5150005       | 20     |
| FE 16-030 | 5150006       | 30     |
| FE 16-050 | 5150007       | 50     |



## T-Element

| Element   | TN / Part No. | L (mm) |
|-----------|---------------|--------|
| TE 16-040 | 5150009       | 40     |
| TE 16-060 | 5150010       | 60     |



Anwenderzeichnung/Customer Drawing

Maßstab/Scale: 1 : 1

Site/Page: 1

Produkt/Product:

Fingerkit System 16

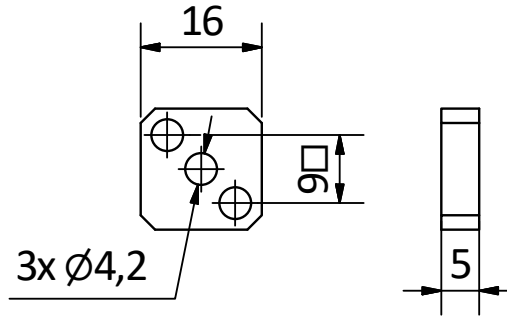
 WEISS ROBOTICS

www.weiss-robotics.com

Copyright Weiss Robotics GmbH & Co. KG, all rights reserved

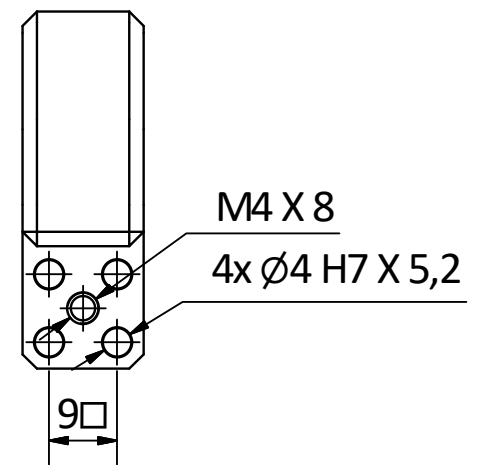
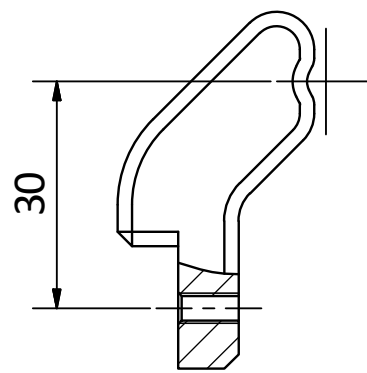
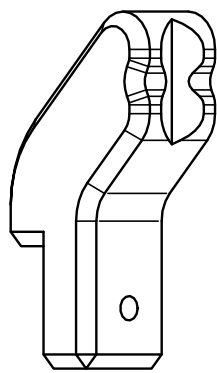
## Distanzplatte / Distance plate

| Element   | TN / Part No. |
|-----------|---------------|
| DP 16-005 | 5150011       |

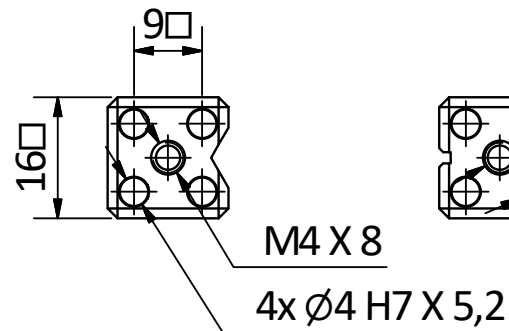
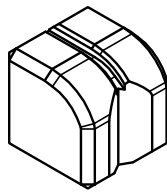


## Greifeinsatz / Grip insert

| Element   | TN / Part No. |
|-----------|---------------|
| FT 16-CR  | 5150025       |
| FT 16-UNI | 5150026       |



FT 16-CR



FT 16-UNI

Anwenderzeichnung/Customer Drawing

Maßstab/Scale: 1 : 1

Site/Page: 2

Produkt/Product:

Fingerkit System 16

